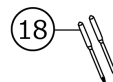
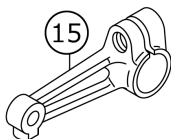
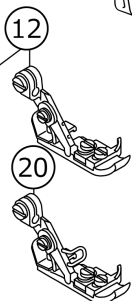
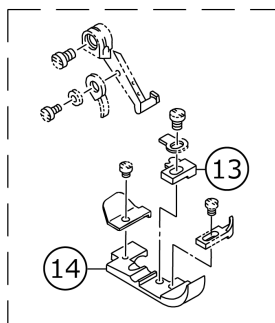
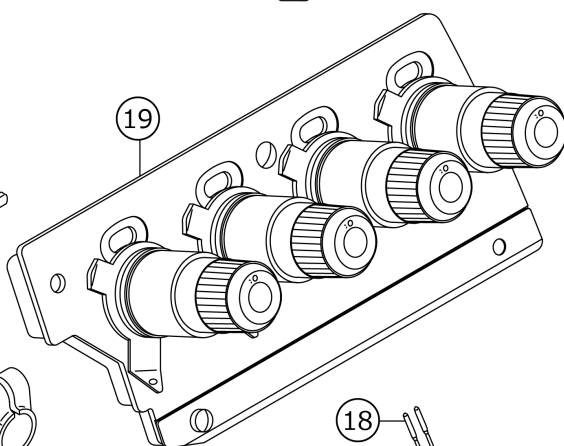
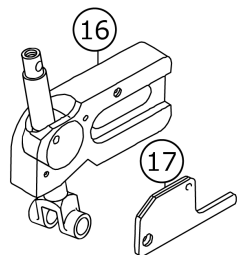
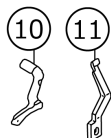
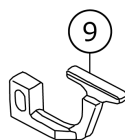
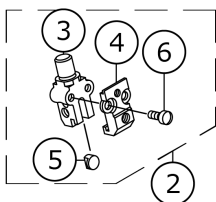
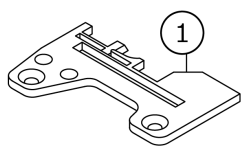


MO-3900 SUBCLASSES 3912/3914

MO-3900 SUBCLASSES (1)

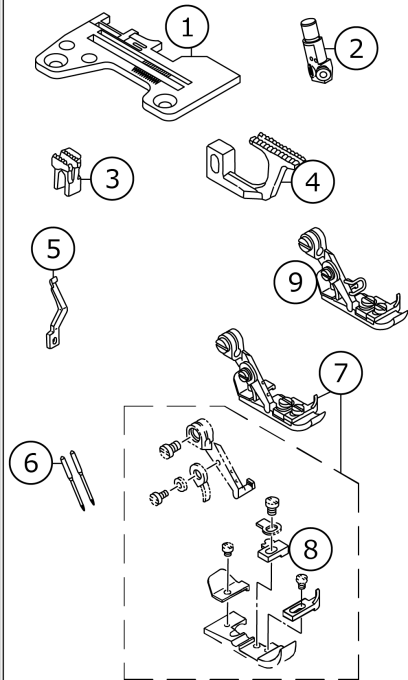
MO-3914-XB5-100



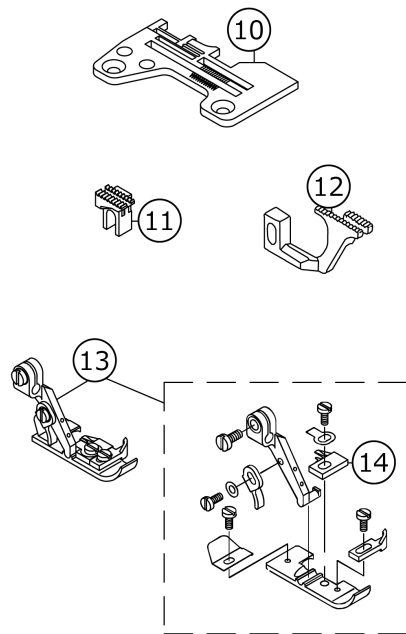
No.	品番	品名	備考	子部品	消耗品	個数
1	R4103J0BP00	THROAT PLATE				1.00
2	12148854	NEEDLE CLAMP ASM., 2-NEEDLE				1.00
3	12148805	NEEDLE CLAMP, 2-NEEDLE		*		1.00
4	12148904	NEEDLE CLAMP COVER		*		1.00
5	12149001	NEEDLE CLAMP BLOCK		*		1.00
6	SS7060610SP	SCREW 3/32-56 L= 5.5		*		1.00
7	12110508	NEEDLE CLAMP HOLDER				1.00
8	11882008	MAIN FEED DOG				1.00
9	11885001	DIFFERENTIAL FEED DOG				1.00
10	11888104	UPPER LOOPER				1.00
11	11890209	NEEDLE GUARD				1.00
12	11876554	PRESSER FOOT ASM.				1.00
13	11874005	STITCH TONGUE		*		1.00
14	B1507804C00	PRESSER FOOT		*		1.00
15	12122701	UPPER LOOPER ARM A				1.00
16	12123006	UPPER LOOPER GUIDE SUPPORT				1.00
17	11833704	UPPER LOOPER GUIDE COVER				1.00
18	MDCC47B0900	NEEDLE DCXC47 #9				2.00
19	12180766	THREAD GUIDE PLATE ASM.				1.00
20	11876562	PRESSER FOOT ASM.	FOR EXPORT			1.00

MO-3900 SUBCLASSES (2)

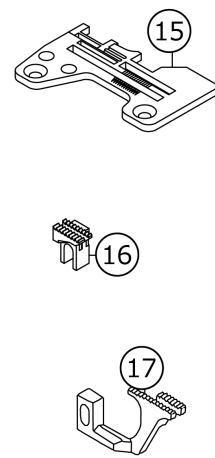
MO-3914-AD4-307



MO-3914-BD4-307



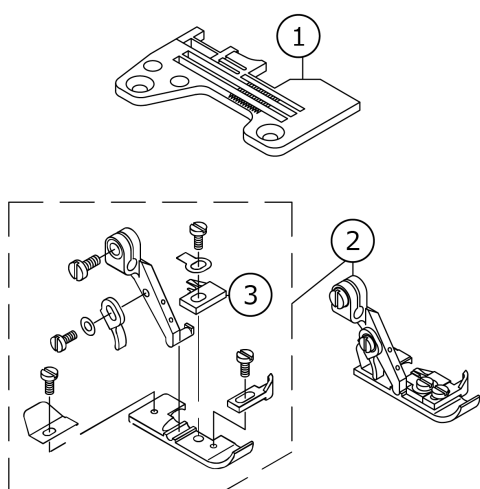
MO-3914-BE4-307



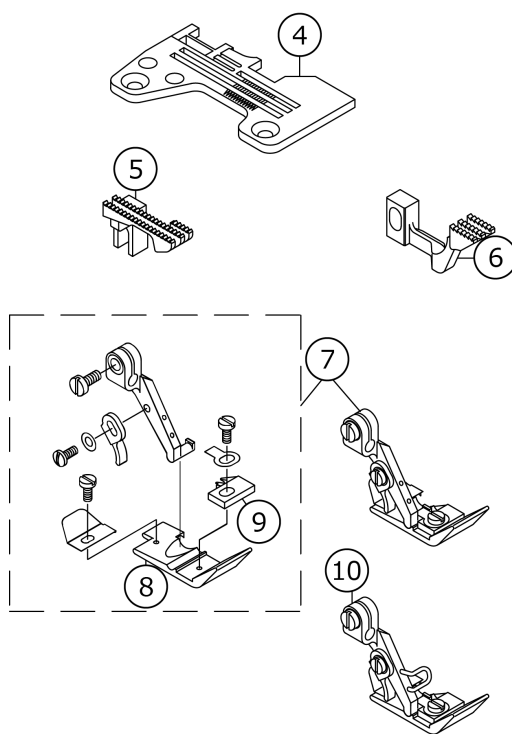
No.	品番	品名	備考	子部品	消耗品	個数
1	R4204J0DC00	THROAT PLATE				1.00
2	12149100	NEEDLE CLAMP, 2-NEEDLE				1.00
3	11882107	MAIN FEED DOG				1.00
4	B165780400T	DIFFERENTIAL FEED DOG				1.00
5	11890209	NEEDLE GUARD				1.00
6	MDC300B1100	NEEDLE DCX3 #11				2.00
7	11876653	PRESSER FOOT ASM.				1.00
8	11874104	STITCH TONGUE		*		1.00
9	11876661	PRESSER FOOT ASM.	FOR EXPORT			1.00
10	R4205J0DE00	THROAT PLATE				1.00
11	11597101	MAIN FEED DOG				1.00
12	B1657814B0E	DIFFERENTIAL FEED DOG				1.00
13	12152559	PRESSER FOOT COMPL.				1.00
14	12160107	STITCH TONGUE		*		1.00
15	R4205J0EE00	THROAT PLATE				1.00
16	11597101	MAIN FEED DOG				1.00
17	B1657814B0E	DIFFERENTIAL FEED DOG				1.00

MO-3900 SUBCLASSES (3)

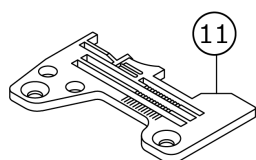
MO-3914-BD6-307



MO-3914-BD6-327



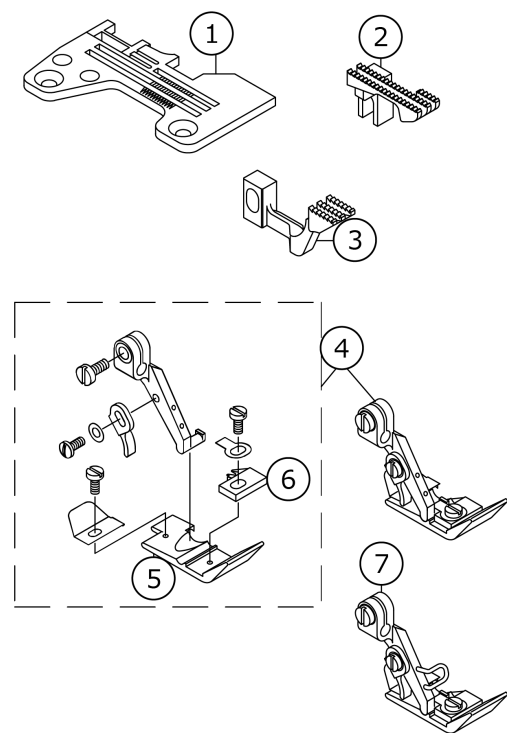
MO-3914-BF6-307



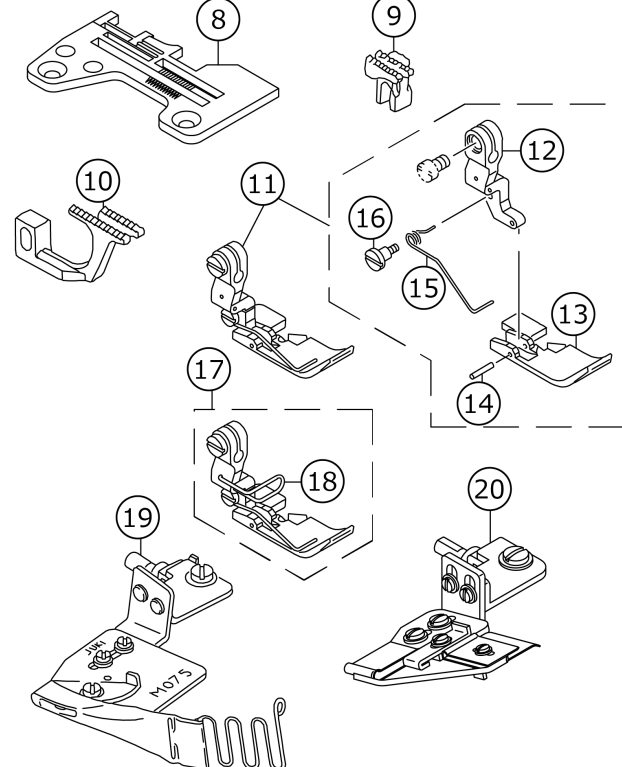
No.	品番	品名	備考	子部品	消耗品	個数
1	R4305J0DE00	THROAT PLATE				1.00
2	12152559	PRESSER FOOT COMPL.				1.00
3	12160107	STITCH TONGUE		*		1.00
4	R4305J0DE0A	THROAT PLATE				1.00
5	11883402	MAIN FEED DOG				1.00
6	12171807	DIFFERENTIAL FEED DOG				1.00
7	11879350	PRESSER FOOT ASM.				1.00
8	11974102	PRESSER FOOT		*		1.00
9	B150981400P	STITCH TONGUE		*		1.00
10	11879368	PRESSER FOOT ASM.	FOR EXPORT			1.00
11	R4305J0FE00	THROAT PLATE				1.00

MO-3900 SUBCLASSES (4)

MO-3914-BE6-327

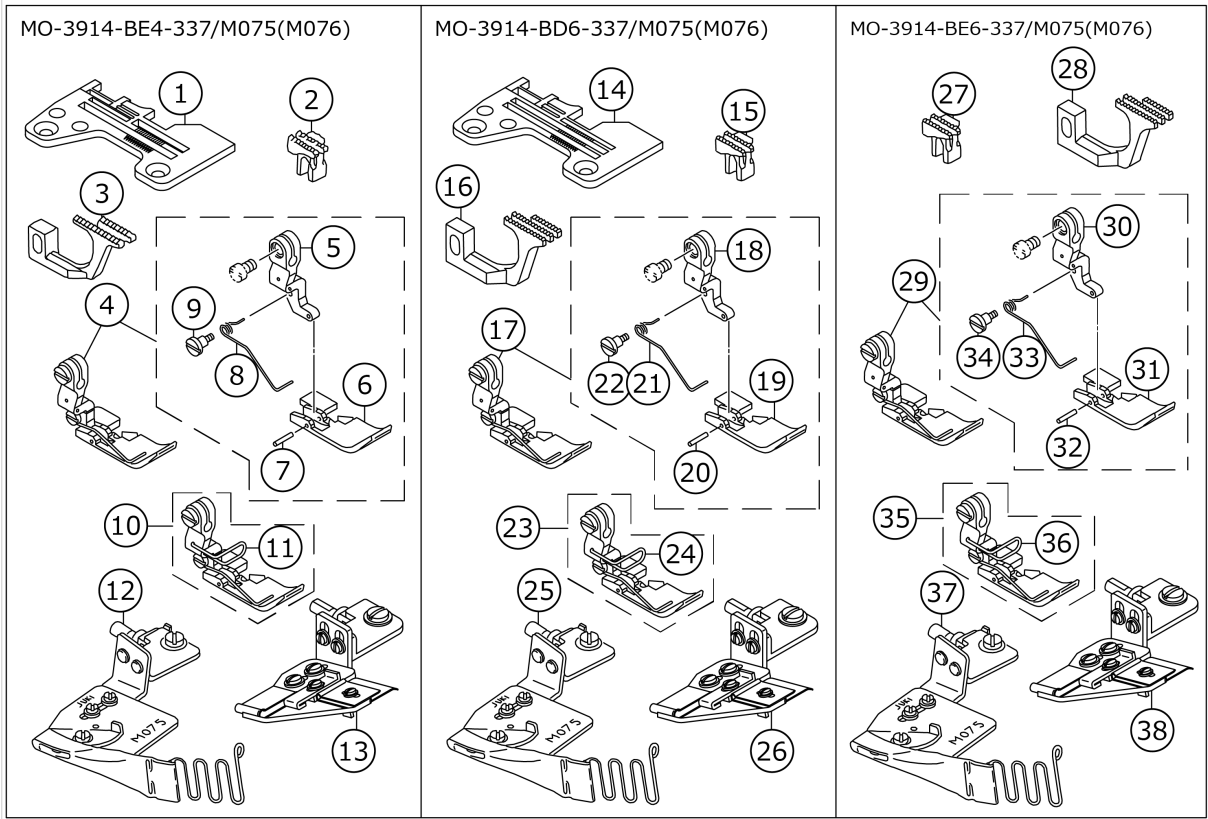


MO-3914-BD4-337/M075(M076)



No.	品番	品名	備考	子部品	消耗品	個数
1	R4305J0EE0A	THROAT PLATE				1.00
2	11883402	MAIN FEED DOG				1.00
3	12171807	DIFFERENTIAL FEED DOG				1.00
4	11879350	PRESSER FOOT ASM.				1.00
5	11974102	PRESSER FOOT		*		1.00
6	B150981400P	STITCH TONGUE		*		1.00
7	11879368	PRESSER FOOT ASM.	FOR EXPORT			1.00
8	R4205J0DE00	THROAT PLATE				1.00
9	11884509	MAIN FEED DOG				1.00
10	B1657814B0M	DIFFERENTIAL FEED DOG				1.00
11	11879053	PRESSER FOOT ASM.				1.00
12	11872405	PRESSER FOOT HINGE		*		1.00
13	B1507814B0D	PRESSER FOOT		*		1.00
14	B1511357000	PIN		*		1.00
15	11892106	PRESSER SPRING		*		1.00
16	SD0370401SP	HINGE SCREW D= 3.70 H= 4.0		*		1.00
17	11879061	PRESSER FOOT ASM.	FOR EXPORT			1.00
18	11894706	FINGER GUARD		*		1.00
19	MAM0750J0A0	PIPING FOLDER ASM. 9MM				1.00
20	MAM0760N0A0	PIPING GUIDE ASM. 13MM	SPECIAL ORDER PART			1.00

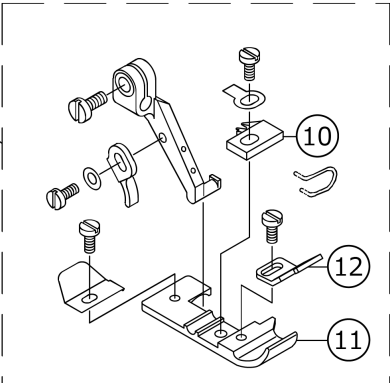
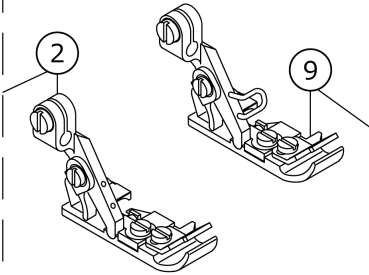
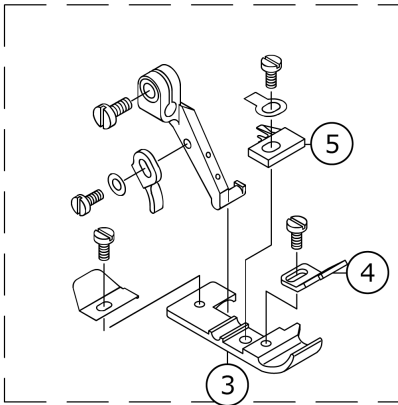
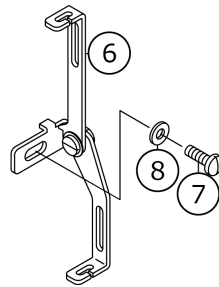
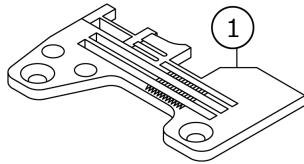
MO-3900 SUBCLASSES (5)



No.	品番	品名	備考	子部品	消耗品	個数
1	R4205J0EE00	THROAT PLATE				1.00
2	11884509	MAIN FEED DOG				1.00
3	B1657814B0M	DIFFERENTIAL FEED DOG				1.00
4	11879053	PRESSER FOOT ASM.				1.00
5	11872405	PRESSER FOOT HINGE		*		1.00
6	B1507814B0D	PRESSER FOOT		*		1.00
7	11892106	PRESSER SPRING		*		1.00
8	B1511357000	PIN		*		1.00
9	SD0370401SP	HINGE SCREW D= 3.70 H= 4.0		*		1.00
10	11879061	PRESSER FOOT ASM.	FOR EXPORT			1.00
11	11894706	FINGER GUARD		*		1.00
12	MAM0750J0A0	PIPING FOLDER ASM. 9MM				1.00
13	MAM0760N0A0	PIPING GUIDE ASM. 13MM	SPECIAL ORDER PART			1.00
14	R4305J0DE00	THROAT PLATE				1.00
15	11882404	MAIN FEED DOG				1.00
16	11793304	DIFFERENTIAL FEED DOG				1.00
17	11879053	PRESSER FOOT ASM.				1.00
18	11872405	PRESSER FOOT HINGE		*		1.00
19	B1507814B0D	PRESSER FOOT		*		1.00
20	11892106	PRESSER SPRING		*		1.00
21	B1511357000	PIN		*		1.00
22	SD0370401SP	HINGE SCREW D= 3.70 H= 4.0		*		1.00
23	11879061	PRESSER FOOT ASM.	FOR EXPORT			1.00
24	11894706	FINGER GUARD		*		1.00
25	MAM0750J0A0	PIPING FOLDER ASM. 9MM				1.00
26	MAM0760N0A0	PIPING GUIDE ASM. 13MM	SPECIAL ORDER PART			1.00
27	11882404	MAIN FEED DOG				1.00
28	11793304	DIFFERENTIAL FEED DOG				1.00
29	11879053	PRESSER FOOT ASM.				1.00
30	11872405	PRESSER FOOT HINGE		*		1.00
31	B1507814B0D	PRESSER FOOT		*		1.00
32	11892106	PRESSER SPRING		*		1.00
33	B1511357000	PIN		*		1.00
34	SD0370401SP	HINGE SCREW D= 3.70 H= 4.0		*		1.00
35	11879061	PRESSER FOOT ASM.	FOR EXPORT			1.00
36	11894706	FINGER GUARD		*		1.00
37	MAM0750J0A0	PIPING FOLDER ASM. 9MM				1.00
38	MAM0760N0A0	PIPING GUIDE ASM. 13MM	SPECIAL ORDER PART			1.00

MO-3900 SUBCLASSES (6)

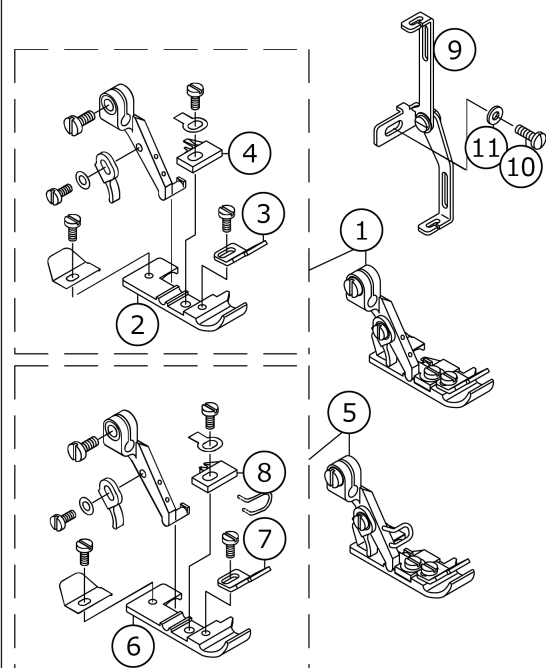
MO-3914-BD6-347/G38/Q141,
MO-3914E-BD6-347/G39/Q141



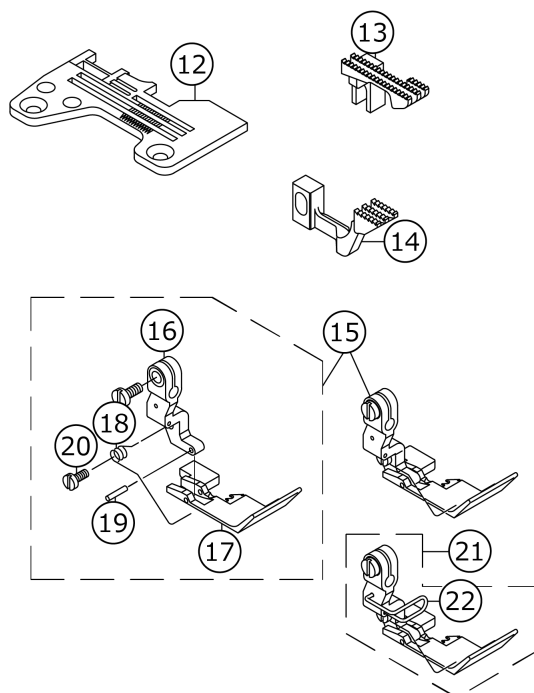
No.	品番	品名	備考	子部品	消耗品	個数
1	R4305J0DE00	THROAT PLATE				1.00
2	12152856	PRESSER FOOT ASM.	FOR DOMESTIC USE (G38)			1.00
3	12158002	PRESSER FOOT		*		1.00
4	12160909	TAPE GUIDE		*		1.00
5	12160206	STITCH TONGUE		*		1.00
6	MAQ141000A0	TAPE GUIDE ASM.				1.00
7	SS7091110TP	SCREW 9/64-40 L=10.5				1.00
8	WP0371016SD	WASHER 3.7X8X1				1.00
9	12152963	PRESSER FOOT ASM.	FOR EXPORT (G39)			1.00
10	12160305	STITCH TONGUE		*		1.00
11	12158002	PRESSER FOOT		*		1.00
12	12160909	TAPE GUIDE		*		1.00

MO-3900 SUBCLASSES (7)

MO-3914-BE6-347/G38/Q141,
MO-3914E-BE6-347/G39/Q141



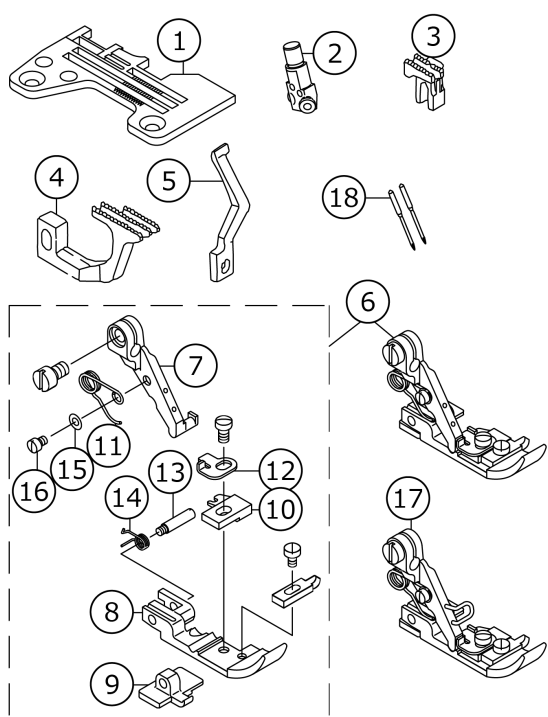
MO-3914-BD6-3B7



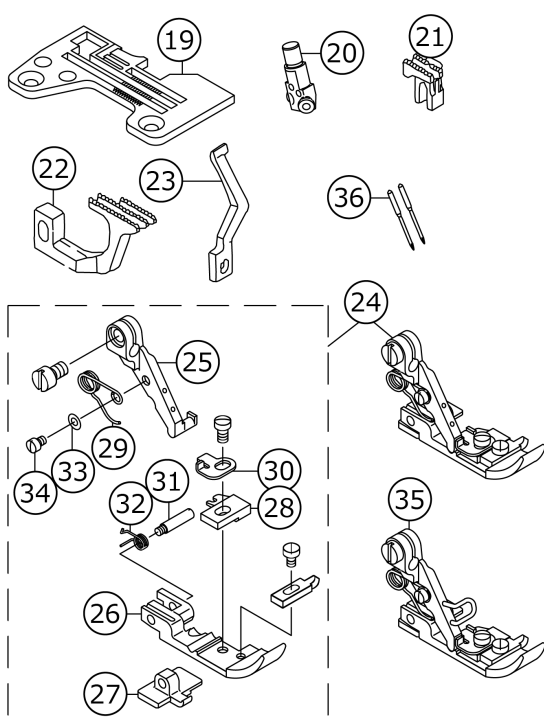
No.	品番	品名	備考	子部品	消耗品	個数
1	12152856	PRESSER FOOT ASM.	FOR DOMESTIC USE (G38)			1.00
2	12158002	PRESSER FOOT		*		1.00
3	12160909	TAPE GUIDE		*		1.00
4	12160206	STITCH TONGUE		*		1.00
5	12152963	PRESSER FOOT ASM.	FOR EXPORT (G39)			1.00
6	12158002	PRESSER FOOT		*		1.00
7	12160909	TAPE GUIDE		*		1.00
8	12160305	STITCH TONGUE		*		1.00
9	MAQ141000A0	TAPE GUIDE ASM.				1.00
10	SS7091110TP	SCREW 9/64-40 L=10.5				1.00
11	WP0371016SD	WASHER 3.7X8X1				1.00
12	R4305J0DE0A	THROAT PLATE				1.00
13	11883402	MAIN FEED DOG				1.00
14	12171807	DIFFERENTIAL FEED DOG				1.00
15	12152658	PRESSER FOOT ASM.				1.00
16	11872405	PRESSER FOOT HINGE		*		1.00
17	12157905	PRESSER FOOT		*		1.00
18	11892106	PRESSER SPRING		*		1.00
19	B1511357000	PIN		*		1.00
20	SD0370401SP	HINGE SCREW D= 3.70 H= 4.0		*		1.00
21	12152666	PRESSER FOOT ASM.	FOR EXPORT			1.00
22	11894706	FINGER GUARD		*		1.00

MO-3900 SUBCLASSES (8)

MO-3912-DD6-507



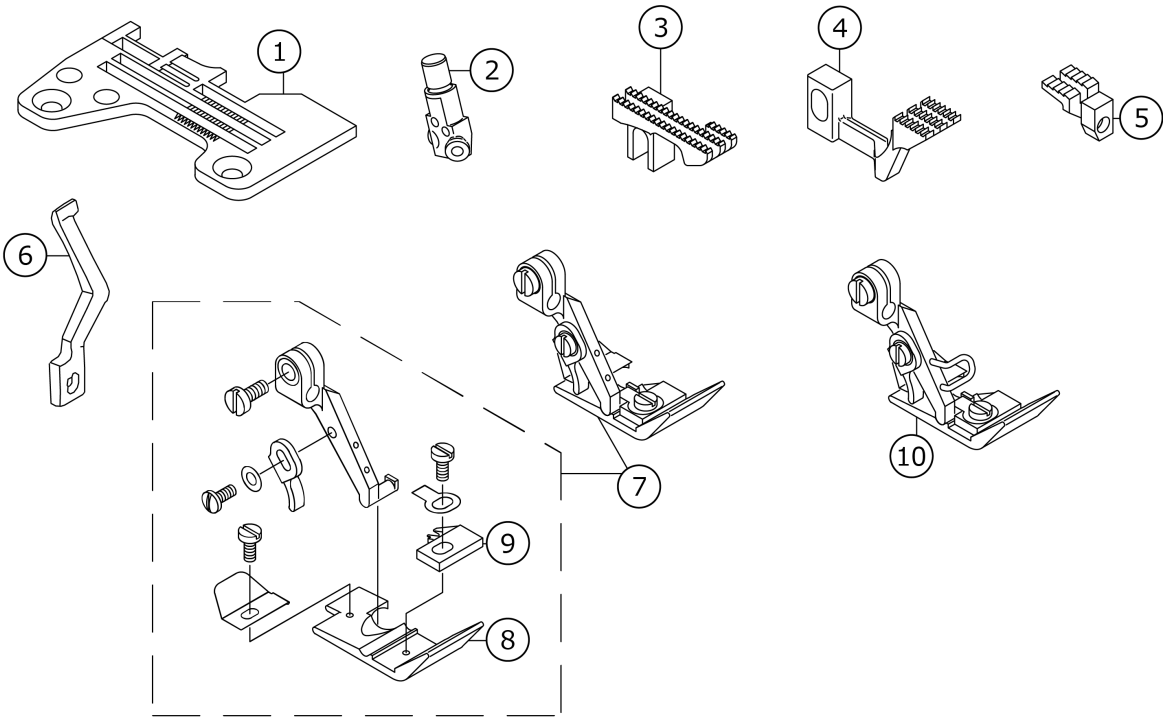
MO-3912-DF6-507



No.	品番	品名	備考	子部品	消耗品	個数
1	R4308J0DE00	THROAT PLATE				1.00
2	12149407	NEEDLE CLAMP, 2-NEEDLE				1.00
3	11984309	MAIN FEED DOG				1.00
4	11980604	DIFFERENTIAL FEED DOG				1.00
5	11890407	NEEDLE GUARD				1.00
6	11983855	PRESSER ASM.				1.00
7	11984002	PRESSER HINGE		*		1.00
8	11983806	CLOTH PRESSER		*		1.00
9	11983905	REAR PRESSER FOOT		*		1.00
10	11790607	STITCH TONGUE		*		1.00
11	11984200	PRESSER SPRING		*		1.00
12	11984101	SPRING		*		1.00
13	11930807	HINGE PIN		*		1.00
14	11931706	SPRING		*		1.00
15	WP0371026SD	WASHER 3.7X7X1		*		1.00
16	SS7080520SP	SCREW 1/8-44 L=4.9		*		1.00
17	11983863	PRESSER FOOT ASM	FOR EXPORT			1.00
18	MDC270B1400	NEEDLE DCX27 #14				2.00
19	R4308J0FE0A	THROAT PLATE				1.00
20	12149407	NEEDLE CLAMP, 2-NEEDLE				1.00
21	11984309	MAIN FEED DOG				1.00
22	11980604	DIFFERENTIAL FEED DOG				1.00
23	11890407	NEEDLE GUARD				1.00
24	11983855	PRESSER ASM.				1.00
25	11984002	PRESSER HINGE		*		1.00
26	11983806	CLOTH PRESSER		*		1.00
27	11983905	REAR PRESSER FOOT		*		1.00
28	11790607	STITCH TONGUE		*		1.00
29	11984200	PRESSER SPRING		*		1.00
30	11984101	SPRING		*		1.00
31	11930807	HINGE PIN		*		1.00
32	11931706	SPRING		*		1.00
33	WP0371026SD	WASHER 3.7X7X1		*		1.00
34	SS7080520SP	SCREW 1/8-44 L=4.9		*		1.00
35	11983863	PRESSER FOOT ASM	FOR EXPORT			1.00
36	MDC270B1400	NEEDLE DCX27 #14				2.00

MO-3900 SUBCLASSES (9)

MO-3912E-DF6-327



No.	品番	品名	備考	子部品	消耗品	個数
1	R4308J0FE00	THROAT PLATE				1.00
2	12149407	NEEDLE CLAMP, 2-NEEDLE				1.00
3	11884608	MAIN FEED DOG				1.00
4	12171906	DIFFENTIAL FEED DOG				1.00
5	11887205	AUXILIARY FEED DOG				1.00
6	11890407	NEEDLE GUARD				1.00
7	11974052	PRESSER FOOT ASM.				1.00
8	11974003	PRESSER		*		1.00
9	11790607	STITCH TONGUE		*		1.00
10	11974060	PRESSER FOOT ASM.	FOR EXPORT			1.00

HOW TO MAKE USE OF THIS PARTS LIST

1.As to "#01" and "#02" refer to the "Note" given at the bottom of the respective pages.

2.Codes on the "Qty" column

- Each numeral indicates the number of parts required.
- "0.1" and "2.5" indicate the length (in meters) of the respective parts.

3.Parentheses mean that the corresponding part is a subpart that constructs an assembly part.

4.Dotted lines on the Figures indicate assembly parts.

1. リストページの# 0 1、# 0 2の印は、ページ下の"注記"の説明を参照下さい。
2. 数量欄の数字は、個数を表し、0. 1、2. 5等の数値は、長さ（単位メートル）を表します。
3. 数量欄の（ ）は、組部品を構成している子部品であることを意味します。
4. イラストページの-----枠は、組構成であることを意味します。